

SPINNER

VC1650-5A



5-Axes Precision Machining Centre
for large workpieces



Mechanical Engineering

Made in Germany

www.spinner.eu.com
sales@spinner.eu.com

Compact dimensions

By means of an innovative guideway cover concept the required floor space is up to 30% lower than for similar machines of the same working area.

SPINNER-Touchpanel 4.0

With integrated touch function on 24-inch screen. Prepared for new I4.0 functions for SIEMENS 840D-SL.



Optionally with Heidenhain TNC640 with large 19-inch screen

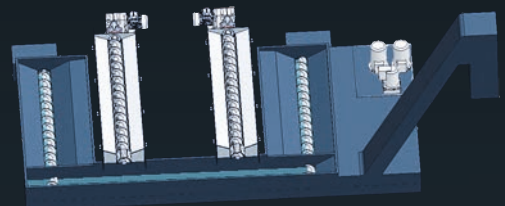


Optimal chip disposal

There are four additional worm conveyors for automatic chip delivery to the chip conveyor at the front of the machine.

Large workspace

For 5-axes workpieces up to about 800x800x800mm
Also for high workpieces.



Powerful
Dynamic
Ergonomic
Compact
Made in Germany

Large tool magazine

96 tools SK50/HSK100 as standard or 138 tools SK40/HSK63

For each application the most suitable spindle

You have the choice of two spindle versions either with high torque of 464 Nm for heavy machining operations or with high speeds up to 18.000 rpm for high speed cutting.

Cast structure

A cast structure optimised by the FEM method ensures high rigidity and high cutting performance.

Ideal for heavy workpieces

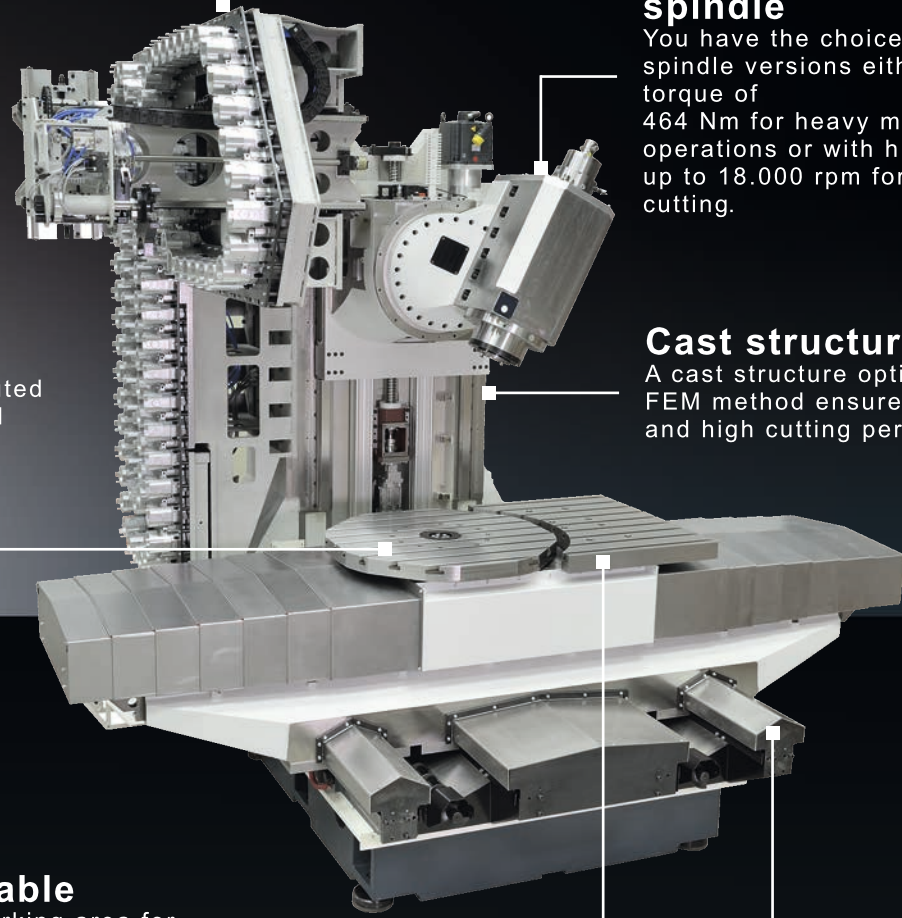
The load is always distributed vertically on the integrated rotary table.

Additional fixed table

On the right side in the working area for 3-axes machining or workpieces up to a milling length of 1650mm.

Innovative patent-registered guideway cover concept

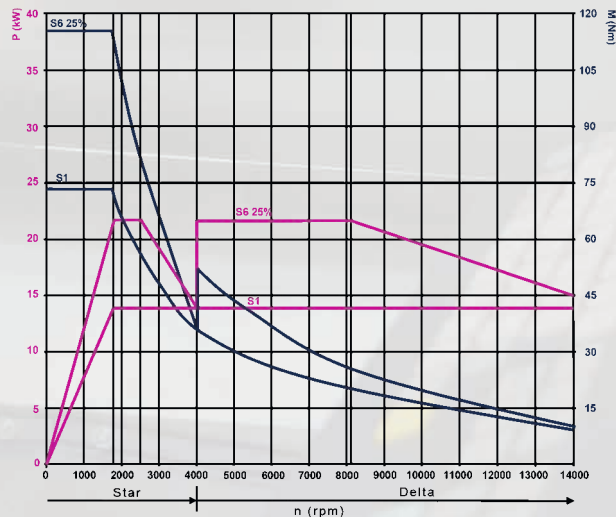
With respectively only one wiper in Y for best guideway protection and easy maintenance.



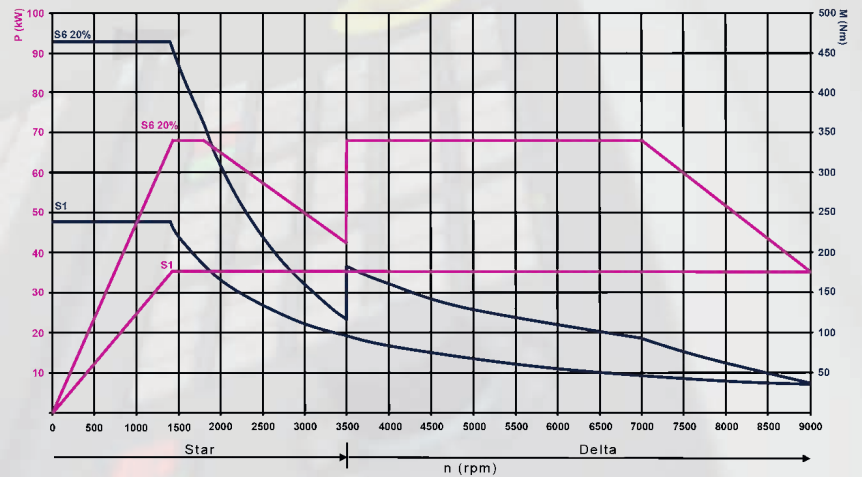
Working area		
X axis	1650 mm	
Y axis	820 mm	
Z axis	820 mm	
Pivot axis in the milling head	+110°/-1°	
Min. distance spindle nose - table	160 mm (vertical spindle) / 210 (horizontal spindle)	
Max. distance spindle nose - table	980 mm (vertical spindle) / 1030 (horizontal spindle)	
Machining table		
Table dimensions	See opposite drawings	
Max. table load	1000 - 2000 kg ¹⁾	
T slots	9x18H7	
Axes		
Feed / Rapide traverse	45 m/min	
Spindle		
Max. spindle speed	9.000 rpm	14.000 rpm (18.000 rpm)
Tool Taper	SK50 (HSK100)	SK40 (HSK63)
Performance	68 kW (S6 20%)	22 kW (S6 25%)
Torque	464 Nm (S6 20%)	117 Nm (S6 25%)
Tool magazine		
Number of tool stations	96	138
Max. tool diameter	110 mm	80 mm
In case of free adjacent tool stations	150 mm	150 mm
Max. tool length	400 mm	400 mm
Max. tool weight	15 kg	10 kg
CNC		
Control system	Siemens 840D-SL, Heidenhain TNC640	
General indications		
Dimensions (L x W x H) ²⁾	3550 x 2750 x 3200 mm	
Weight	~ 16.000 kg	

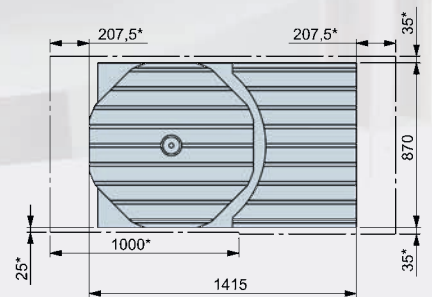
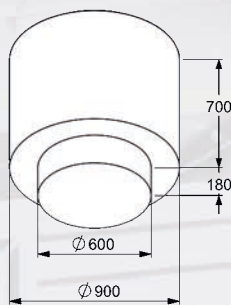
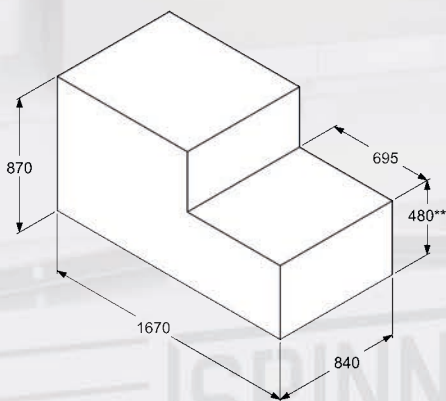
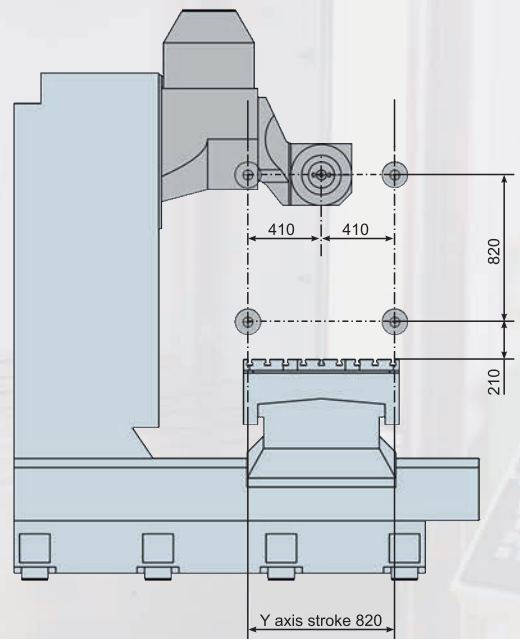
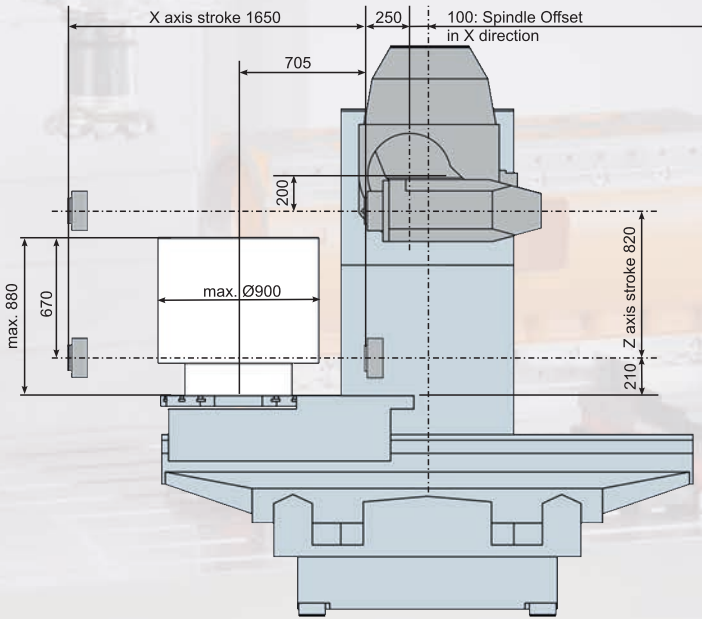
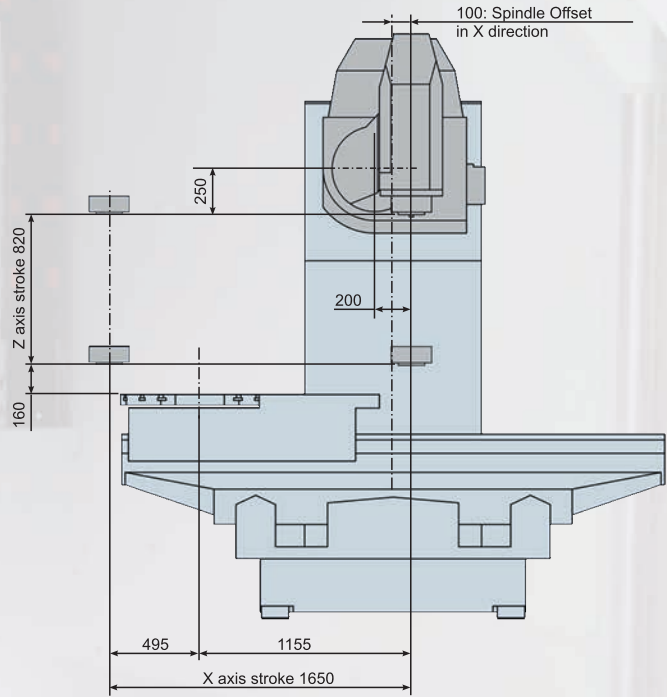
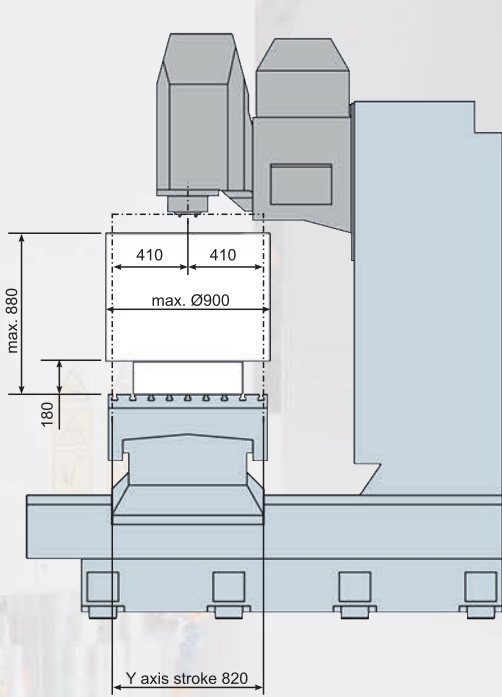
1) With limited machine dynamic; 2) See floorplan

14.000 rpm

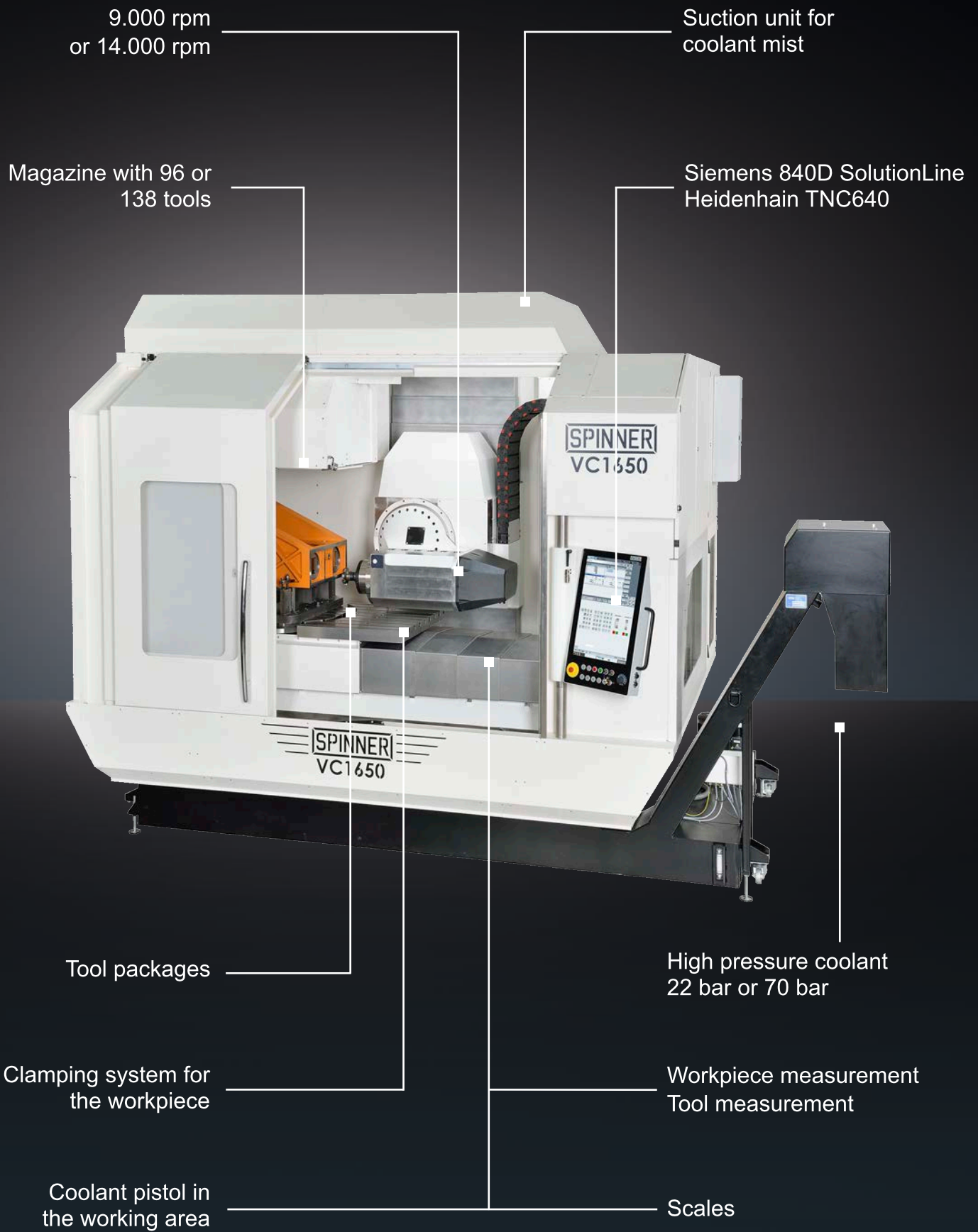


9.000 rpm

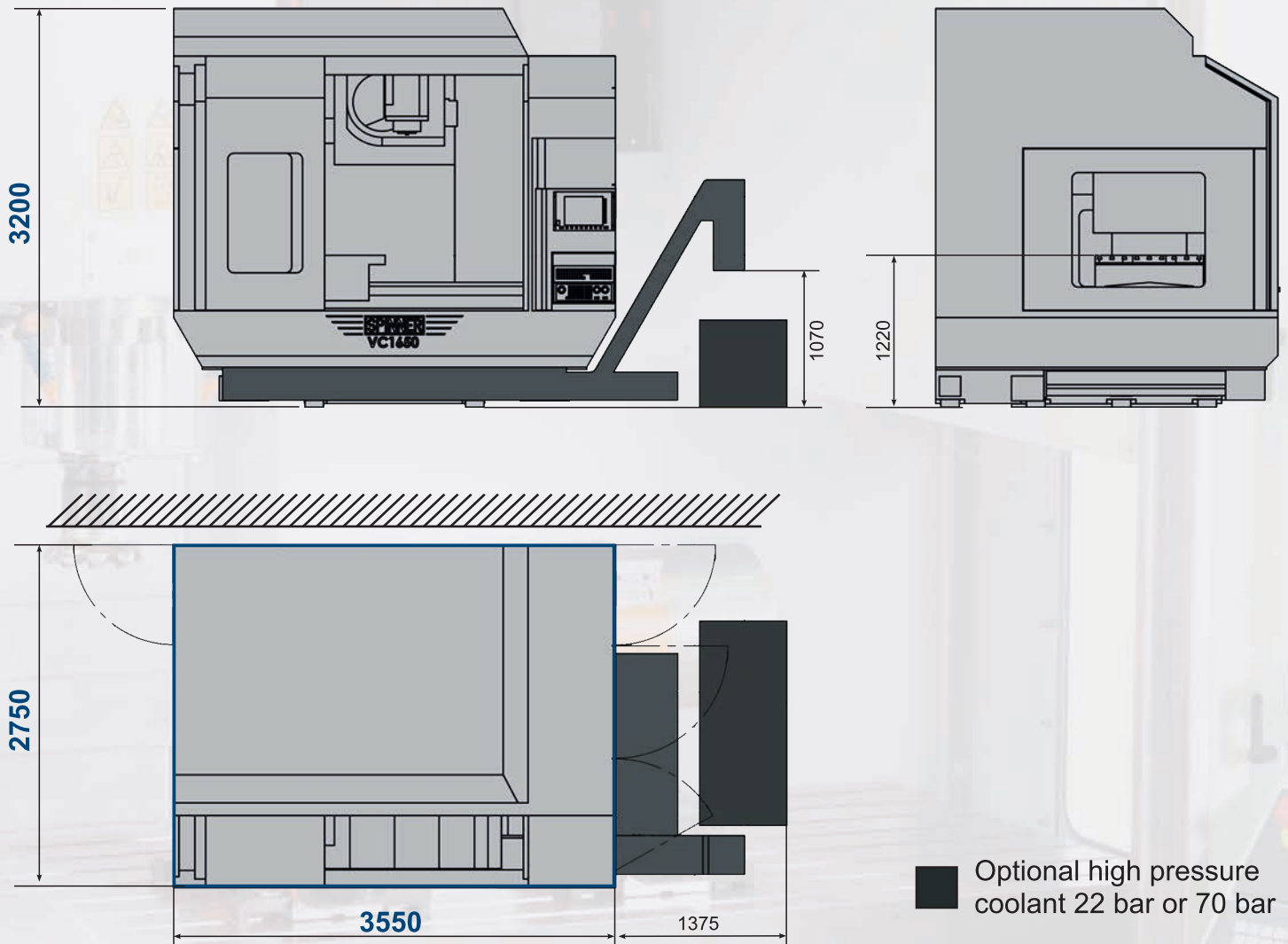




* Max. workpiece overlapping
** Max. workpiece height underneath electric cabinet



Other options on demand



Compact dimensions for low space requirement

**No operating elements at rear side of machine
Thereby a space-saving installation is possible**

SPINNER
VC1650



Werkzeugmaschinenfabrik GmbH



www.spinner.eu.com

Spinner Machine-Tools are working successfully world wide with many well known clients in more than 60 countries on 6 continents. We have been fortunate enough to attract small component suppliers in addition to well known global groups in all metal machining industries.

We have designed and produced the most modern machine-tools since 1950. More than 20.000 delivered machines demonstrate their high efficiency, precision and reliability, everyday.

Although Spinner is a medium-sized enterprise we produce and sell more than 1.000 CNC machines a year. And the number is increasing every year. Our company combines the know-how of a global player with the flexibility and cost-effective structures of a family owned business.

Place your trust in our products as well and let us know what we can do for you.



Video

SPINNER Werkzeugmaschinenfabrik GmbH

Rudolf-Diesel-Ring 24

82054 Sauerlach

Tel. +49 (0) 8104 803-0

Fax +49 (0) 8104 803-19

sales@spinner.eu.com



Version 24.10.2018

Technical changes of specifications and pictures are subject to change without notice - Pictures can include options, accessories